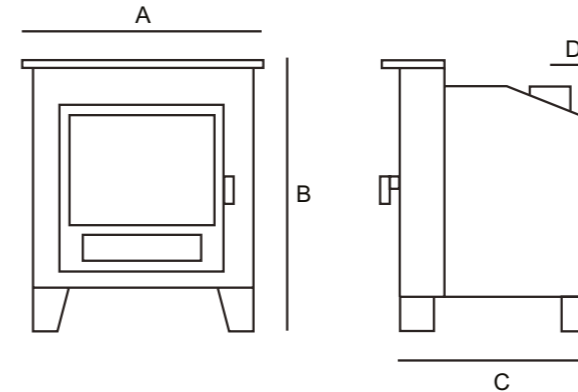




## Clock Blithfield Inset *(Multi-fuel 5kW)*



| Dimensions             | A     | B     | C     | D     | Weight |
|------------------------|-------|-------|-------|-------|--------|
| Clock Blithfield Inset | 535mm | 600mm | 484mm | 100mm | 136kg  |

| Description   | Values                               |
|---------------|--------------------------------------|
| Fuel Type     | Wood-Burning and Multi-Fuel          |
| Output Range  | 4kW – 7kW (Nominally tested at 5kW)  |
| Energy Rating | A+                                   |
| Flue Size     | 5" / 130mm                           |
| Glass Size    | 352mm x 270mm                        |
| Rope Size     | 12mm Diameter Soft                   |
| Warranty      | 7 Years* (See back page for details) |

| Available Options<br>(Additional Cost) | Distance to Materials        |       |      |
|--|------------------------------|-------|------|
|  | Above                        | Sides | Back |
| Brass or Stainless Steel Fittings      | To Combustibles<br>375mm     | 500mm | N/A  |
|  | To Non-combustibles<br>375mm | 100mm | N/A  |

For best performance we recommend these distances to non-combustible materials.  
Clock stoves must be placed on a hearth with a minimum thickness of 12mm.

# Clock Blithfield Inset

The Blithfield Inset stove is a new addition to our range, designed to be recessed into a chimney breast or wall to leave only the front visible. The Inset takes up less space but features the same quality and performance as our original Blithfield 5kW.



[www.clockwoodburners.co.uk](http://www.clockwoodburners.co.uk)